



**CG.** series cable glands for unarmoured cables

**CGA.** series cable glands for armoured cables

**CGF.** series cable glands for armoured cables with conduit protection

• **Use**

The cable glands for non armoured and armoured cables are normally used in the chemical and petrochemical plants, off-shore platforms, refineries and any other industry where hazardous atmospheres (gas and combustible dust) are potentially present.

• **Function**

The cable glands are normally installed to allow direct entry of unarmoured (CG serie) or armoured (CGA serie) cables into Ex-d and Ex-e enclosures so to provide any electrical connection with external circuits.

The cable glands for non armoured cables are provided with a complete set of internal gaskets to meet any form of requirements. The sealing ring of CGF series is female threaded to allow the connection with a rigid or flexible conduit protecting the cable for specific kind of installations.

The cable glands for armoured cables, due a particular design, are equipped with a sole gasket covering a wide range of cable sizes so to facilitate the choice and the installation.

The cable glands with cylindrical threads are equipped with O-ring so to grant and IP 66/68 protection to the enclosure.

• **Construction**

The materials used to manufacture the cable glands have been studied to grant the maximum protection against the highly corrosive agents present in these industries.

They are available in:

- brass
- nickel plated brass
- stainless steel AISI 316

The O-ring and internal gaskets are made in neoprene and, for low and high temperature environments, in silicone.

All the equipment has the double marking for Ex-d and Ex-e installations with the sole exception of the components threaded with PG – DIN 40430 that are available only for Ex-e installations.

The cable glands to be used with circuit Ex-i, can be requested with pressure cap painted light blue.

• **Ordering Codes**

The material code, as per side table, has to be added at the end of the code of cable gland, earth tag or lock nut.

On request, there are available other types of thread for any special purpose.

	Code	Description
Material	B	Brass
	N	Nickel-Plated Brass
	S	Stainless Steel

• **Protection**

certificate number:

IMQ 12 ATEX 010 X

marking:

Ex II 2GD Ex d IIC Gb - Ex e IIC Gb - Ex tb IIC Db

ambient temperature:

-60°C +180°C

degree of protection:

IP66 / IP68

conformity:

Directive ATEX 94/9/EC

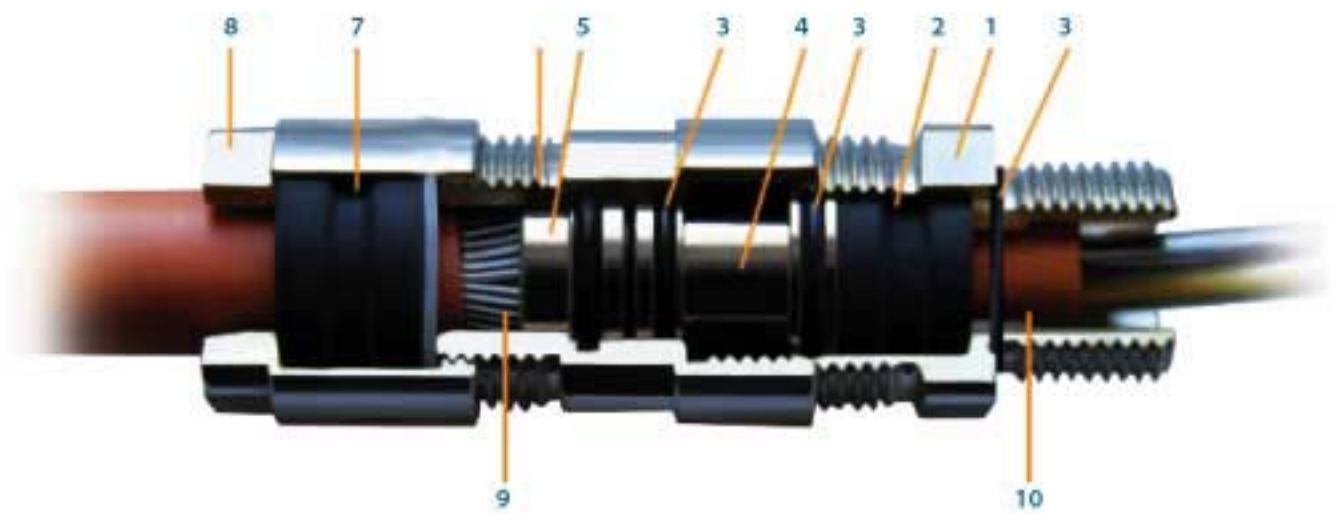
standards:

EN60079-0 / EN60079-1 / EN60079-7 / EN-60079-11 / EN60079-31 / EN60529

category:

suitable for Zone 1 – 21 (gas) and Zone 2 – 22 (dust)

### CGA. series cable glands for armoured cables



ITEM	DESCRIPTION	ITEM	DESCRIPTION
1	LOWER BODY	6	MIDDLE BODY
2	LOWER SEALING RING	7	UPPER SEALING RING
3	O RING	8	PRESSURE CAP
4	GROUNDING CONE	9	ARMoured WIRE
5	SWIVEL BRAID RETAINER	10	ARMoured CABLE

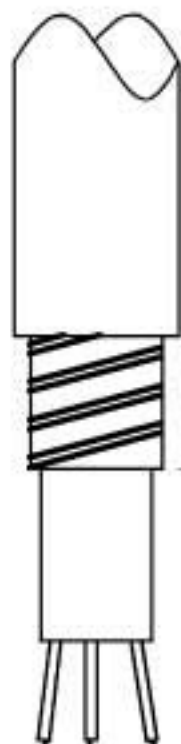
### ARMoured CABLES



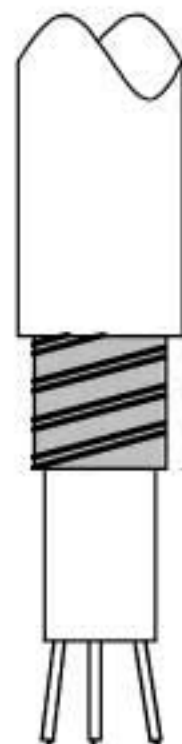
STEEL WIRE ARMOUR



BRAIDED SHIELD



METAL TAPE SHIELD



DOUBLE METAL TAPE SHIELD

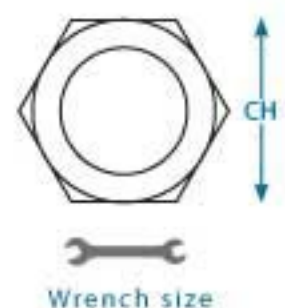
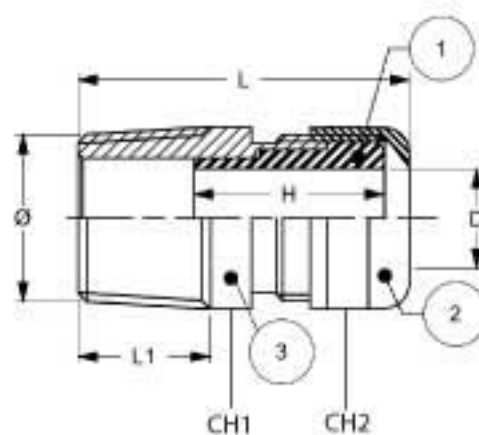
**CG series**  
cable glands for unarmoured cables



• Thread: NPT ANSI ASME B1.20.1

Code	Ø	D		H min	L min	L1 min	CH	
		min	max				1	2
CG 01N	3/8"	3	12	20	40	16	22	22
CG 1N	1/2"	3	12	20	40	16	22	22
CG 12N	1/2"	10	16	20	45	16	28	28
CG 2N	3/4"	10	18	20	40	16	28	28
CG 23N	3/4"	14	20	25	50	16	35	35
CG 3N	1"	14	24	25	47	20	35	35
CG 34N	1"	22	28	39	57	20	45	45
CG 4N	1 1/4"	22	32	39	47	20	45	45
CG 45N	1 1/4"	26	34	32	57	20	50	50
CG 5N	1 1/2"	26	35	32	48	20	55	50
CG 56N	1 1/2"	35	42	38	65	20	55	58
CG 6N	2"	35	45	38	55	20	68	68
CG 67N	2"	46	56	25	64	20	75	80
CG 7N	2 1/2"	46	62	25	70	26	80	80
CG 78N	2 1/2"	60	69	36	81	26	95	95
CG 8N	3"	60	75	36	81	26	95	95
CG 810N	3"	75	82	38	83	26	105	105
CG 10N	4"	75	85	38	83	26	115	105
CG 11N	4"	85	95	38	83	26	115	115

ITEM	DESCRIPTION
1	SEALING RING
2	CAP
3	BODY



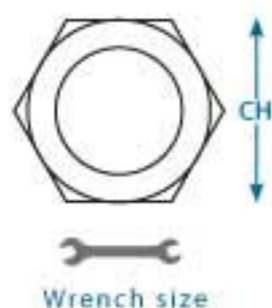
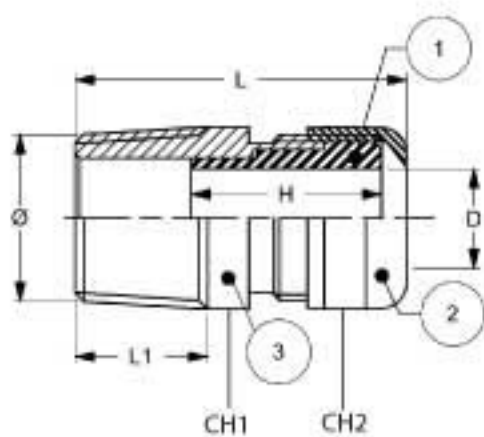




• Thread: Metric Pitch 1.5 - ISO 262

Code	Ø	D		H min	L min	L1 min	CH	
		min	max				1	2
CG 01M	M16 x1.5	3	12	20	40	16	22	22
CG 1M	M20 x1.5	3	12	20	40	16	22	22
CG 12M	M20 x1.5	10	16	20	45	16	28	28
CG 2M	M25 x1.5	10	18	20	40	16	28	28
CG 23M	M25 x1.5	14	20	25	50	16	35	35
CG 3M	M32 x1.5	14	24	25	47	20	35	35
CG 34M	M32 x1.5	22	28	39	57	20	45	45
CG 4M	M40 x1.5	22	32	39	47	20	45	45
CG 45M	M40x1.5	26	34	32	57	20	50	50
CG 5M	M50 x1.5	26	35	32	48	20	55	50
CG 56M	M50 x1.5	35	42	38	65	20	55	58
CG 6M	M63 x1.5	35	45	38	55	20	60	68
CG 67M	M63x1.5	46	56	25	64	20	75	80
CG 7M	M75 x1.5	46	62	25	70	26	80	80
CG 78M	M75 x1.5	60	69	36	81	26	95	95
CG 8M	M90 x1.5	60	75	36	81	26	95	95
CG 810M	M90 x1.5	75	82	38	83	26	105	105
CG 10M	M100 x1.5	75	85	38	83	26	115	105
CG 11M	M110x1.5	85	95	38	83	26	115	115

ITEM	DESCRIPTION
1	SEALING RING
2	CAP
3	BODY



### CGA series

cable glands for armoured cables  
with rigid or flexible conduit protection

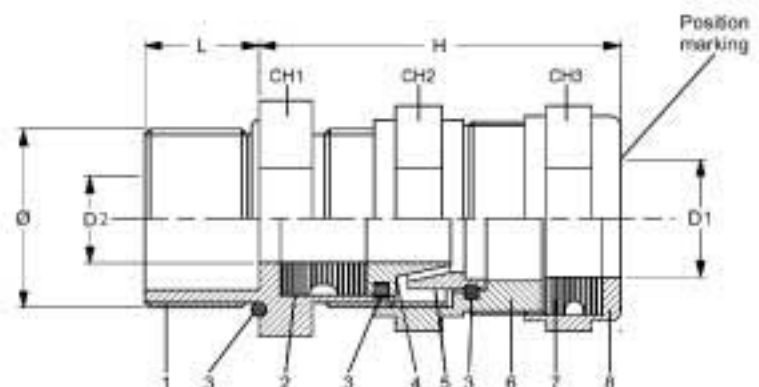


• Thread: NPT ANSI ASME B1.20.1

Code	Ø	D1		D2		H min	L min	CH		
		min	max	min	max			1	2	3
CGA 01N	3/8"	6	12	3	8.5	47	16	22	26	26
CGA 011N	3/8"	8.5	16	3	12	48	16	25	29	29
CGA 101N	1/2"	6	12	3	8.5	47	16	24	26	26
CGA 1N	1/2"	8.5	16	3	12	47	16	25	29	29
CGA 12N	1/2"	12	20	8.5	14.5	50	16	28	30	32
CGA 21N	3/4"	8.5	16	6	12	48	16	30	29	29
CGA 22N	3/4"	12	21	8.5	16	53	18	32	34	34
CGA 2N	3/4"	16	26	12	20	60	16	36	40	40
CGA 32N	1"	16	26	12	20	62	18	40	40	40
CGA 3N	1"	20	33	15	26	78	18	48	52	52
CGA 43N	1" 1/4	20	33	15	26	78	18	48	52	52
CGA 4N	1" 1/4	29	41	20	32	89	18	55	60	60
CGA 54N	1" 1/2	36	52	22	35	97	18	60	70	74
CGA 5N	1" 1/2	33	48	27	41	100	18	70	70	75
CGA 6N	2"	45	56	35	45	106	20	75	80	80
CGA 67N	2"	47	60	40	52	107	20	85	85	85
CGA 7N	2" 1/2	47	60	40	52	107	20	85	85	85

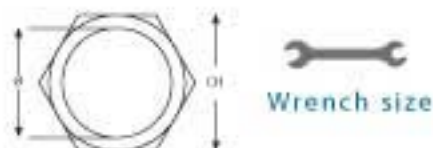


ITEM	DESCRIPTION
1	LOWER BODY
2	LOWER SEALING RING
3	O-RING
4	GROUNDING CONE
5	SWIVEL BRAID RETAINER
6	MIDDLE BODY
7	UPPER SEALING RING
8	PRESSURE CAP

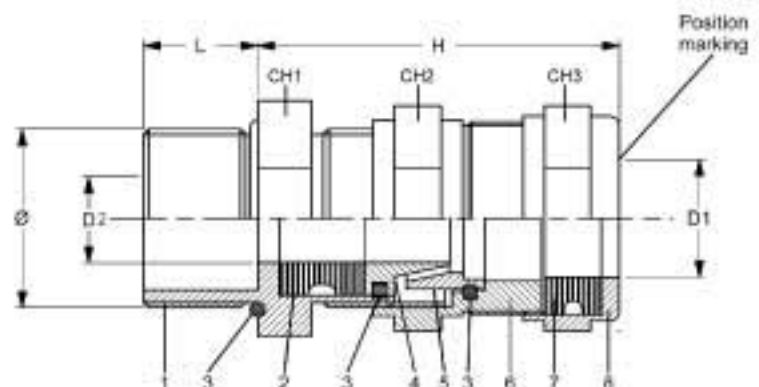



**• Thread: Metric Pitch 1.5 - ISO 262**

Code	Ø	D1		D2		H min	L min	CH		
		min	max	min	max			1	2	3
CGA 01M	M16 x1.5	6	12	3	8.5	47	16	22	26	26
CGA 011M	M16 x1.5	8.5	16	3	12	48	16	25	29	29
CGA 101M	M20 x1.5	6	12	3	8.5	47	16	24	26	26
CGA 1M	M20 x1.5	8.5	16	3	12	47	16	25	29	29
CGA 12M	M20 x1.5	12	20	8.5	14.5	50	16	28	30	32
CGA 21M	M25 x1.5	8.5	16	6	12	48	16	30	29	29
CGA 22M	M25 x1.5	12	21	8.5	16	53	18	32	34	34
CGA 2M	M25 x1.5	16	26	12	20	60	16	36	40	40
CGA 32M	M32 x1.5	16	26	12	20	62	18	40	40	40
CGA 3M	M32 x1.5	20	33	15	26	78	18	48	52	52
CGA 43M	M40 x1.5	20	33	15	26	78	18	48	52	52
CGA 4M	M40 x1.5	29	41	20	32	89	18	55	60	60
CGA 54M	M50 x1.5	36	52	22	35	97	18	60	70	74
CGA 5M	M50 x1.5	33	48	27	41	100	18	70	70	75
CGA 6M	M63 x1.5	45	56	35	45	106	20	75	80	80
CGA 67M	M63 x1.5	47	60	40	52	107	20	85	85	85
CGA 7M	M75 x1.5	47	60	40	52	107	20	85	85	85



ITEM	DESCRIPTION
1	LOWER BODY
2	LOWER SEALING RING
3	O RING
4	GROUNDING CONE
5	SWIVEL, BRAID RETAINER
6	MIDDLE BODY
7	UPPER SEALING RING
8	PRESSURE CAP





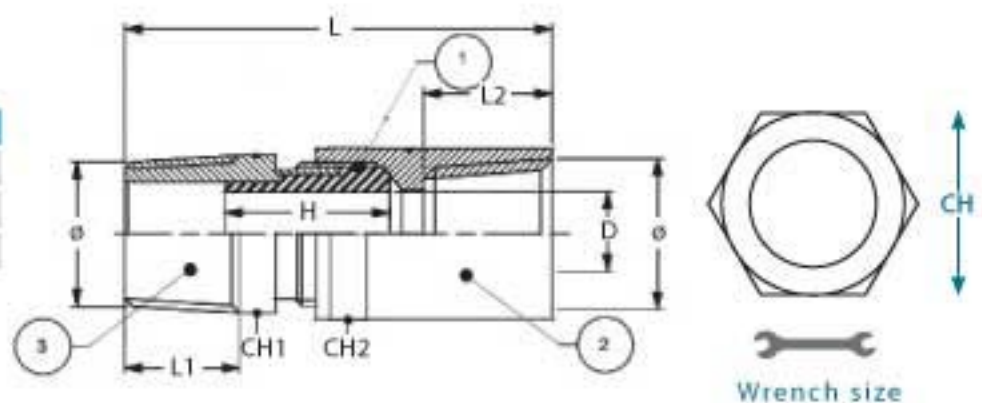
### CGF series cable glands for unarmoured cables



#### • Thread: NPT ANSI ASME B1.20.1

Code	Ø	D		H min	L min	L1 min	CH	
		min	max				1	2
CGF 01N	3/8"	3	12	20	60	16	22	24
CGF 1N	1/2"	3	12	20	58	16	22	24
CGF 12N	1/2"	10	16	20	45	16	28	28
CGF 2N	3/4"	10	18	20	58	16	28	30
CGF 23N	3/4"	14	20	25	50	16	35	35
CGF 3N	1"	14	21	25	68	20	35	35
CGF 34N	1"	22	28	39	57	20	45	45
CGF 4N	1" 1/4	22	32	39	67	20	45	45
CGF 45N	1" 1/4	26	34	32	57	20	50	50
CGF 5N	1" 1/2	26	35	32	68	20	55	50
CGF 56N	1" 1/2	35	42	38	65	20	55	58
CGF 6N	2"	35	45	38	75	20	68	65
CGF 67N	2"	46	56	25	64	20	75	80
CGF 7N	2" 1/2	46	62	25	96	26	80	80
CGF 78N	2" 1/2	60	69	36	81	26	95	95
CGF 8N	3"	60	75	36	108	26	95	95
CGF 810N	3"	75	82	38	83	26	105	105
CGF 10N	4"	75	85	38	110	26	115	115
CGF 11N	4"	85	95	38	110	26	115	115

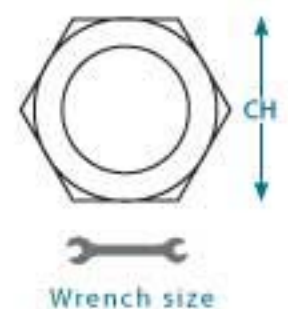
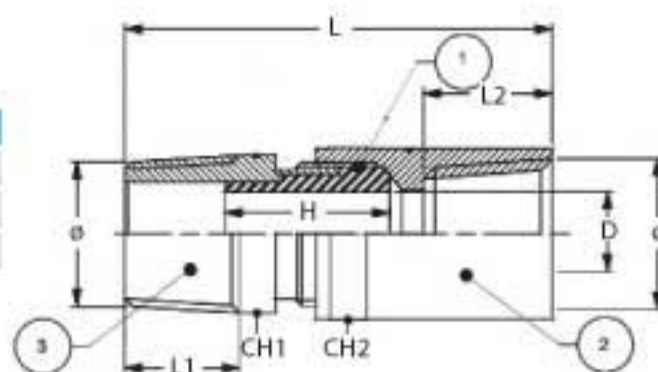
ITEM	DESCRIPTION
1	SEALING RING
2	FEMALE BODY
3	MALE BODY




**• Thread: Metric Pitch 1.5 - ISO 262**

Code	Ø	D		H min	L min	L1 min	CH	
		min	max				1	2
CGF 01M	M16 x1.5	3	12	20	60	16	22	24
CGF 1M	M20 x1.5	3	12	20	58	16	22	24
CGF 12M	M20 x1.5	10	16	20	60	16	28	30
CGF 2M	M25 x1.5	10	18	20	58	16	28	30
CGF 23M	M25 x1.5	14	20	25	62	16	35	35
CGF 3M	M32 x1.5	14	21	25	68	20	35	35
CGF 34M	M32 x1.5	27	28	39	77	20	45	45
CGF 4M	M40 x1.5	22	32	39	67	20	45	45
CGF 45M	M40 x1.5	26	34	32	77	20	50	50
CGF 5M	M50 x1.5	26	35	32	68	20	55	50
CGF 56M	M50 x1.5	35	42	38	85	20	55	60
CGF 6M	M63 x1.5	35	45	38	75	20	68	65
CGF 67M	M63 x1.5	46	56	25	84	20	75	80
CGF 7M	M75 x1.5	46	62	25	96	26	80	80
CGF 78M	M75 x1.5	60	69	36	108	26	95	95
CGF 8M	M90 x1.5	60	75	36	108	26	95	95
CGF 810M	M90 x1.5	75	82	38	110	26	105	105
CGF 10M	M100 x1.5	75	85	38	110	26	115	115
CGF 11M	M110 x1.5	85	95	38	110	26	115	115

ITEM	DESCRIPTION
1	SEALING RING
2	FEMALE BODY
3	MALE BODY





### ET series earth tags

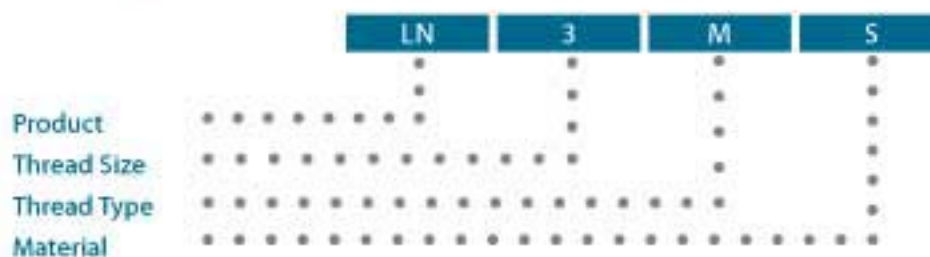
### LN series locknuts

Code	Ø	
	NPT	METRIC
ET 01	3/8"	M16 x1.5
ET 1	1/2"	M20 x1.5
ET 2	3/4"	M25 x1.5
ET 3	1"	M32 x1.5
ET 4	1" 1/4	M40 x1.5
ET 5	1" 1/2	M50 x1.5
ET 6	2"	M63 x1.5
ET 7	2" 1/2	M75 x1.5
ET 8	3"	M90 x1.5
ET 10	4"	M100 x1.5
ET 11	-	M110x1.5

Code	Ø	
	NPT	METRIC
LN 01	3/8"	M16 x1.5
LN 1	1/2"	M20 x1.5
LN 2	3/4"	M25 x1.5
LN 3	1"	M32 x1.5
LN 4	1" 1/4	M40 x1.5
LN 5	1" 1/2	M50 x1.5
LN 6	2"	M63 x1.5
LN 7	2" 1/2	M75 x1.5
LN 8	3"	M90 x1.5
LN 10	4"	M100 x1.5
LN 11	-	M110x1.5



### • Ordering Codes - Accessories



Example above code:

- Product:
- Thread Size and Type:
- Material:

Locknut  
M32 x 1.5  
Stainless Steel

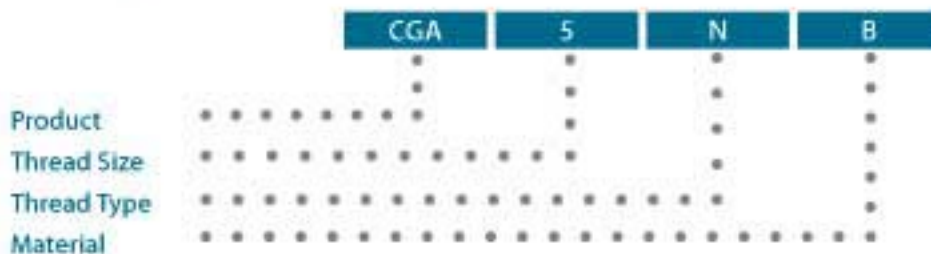
Thread Type	Code	Description
	N	NPT - ANSI ASME B1.20.1
	M	Metric Pitch 1.5 - ISO 262
	P	PG - DIN 40130

### SH series PVC shrouds



Code	Cable Gland	Code	Cable Gland
SH 1	CG 01	SHA 01	CGA 01
	CG 1		CGA 101
SH 2	CG 2	SHA 1	CGA 1
	CG 12		CGA 011
SH 3	CG 3		CGA 21
	CG 23	SHA 12	CGA 12
SH 4	CG 4		CGA 22
	CG 34	SHA 2	CGA 2
SH 45	CG 45		CGA 32
SH 5	CG 5	SHA 3	CGA 3
SH 55	CG 56		CGA 43
SH 6	CG 6	SHA 4	CGA 4
SH 7	CG 7	SHA 5	CGA 5
	CG 67		CGA 54
SH 8	CG 8	SHA 6	CGA 6
	CG 78	SHA 7	CGA 7
SH 9	CG 810		CGA 67
SH 10	CG 10		
	CG 11		

### • Ordering Codes - Cable Glands



Example above code:

- Product:
- Thread Size and Type:
- Material:

Cable Gland for Armoured Cable  
1" 1/2 NPT  
Brass

Material	Code	Description
	B	Brass
	N	Nickel-Plated Brass
	S	Stainless Steel