

Supermec

EJB-A CATALOGUE





EJB - A series enclosures

• Use

EJB A series enclosures are normally used in the chemical and petrochemical plants, off-shore platforms, refineries and any other industry where hazardous atmospheres (gas and combustible dust) are potentially present. The EJB A range has been designed to meet the main requirements of power distribution, monitoring and signalling, and other electrical functions inside the hazardous area of the plant.

• Function

The EJB A series can be used for the following main applications:

- control station and instrument housing
- motor starter unit
- lighting control panel
- electronic grounding system
- terminal and bus-bars box

and fitted with other electrical and/or electronic equipment as per client specifications.

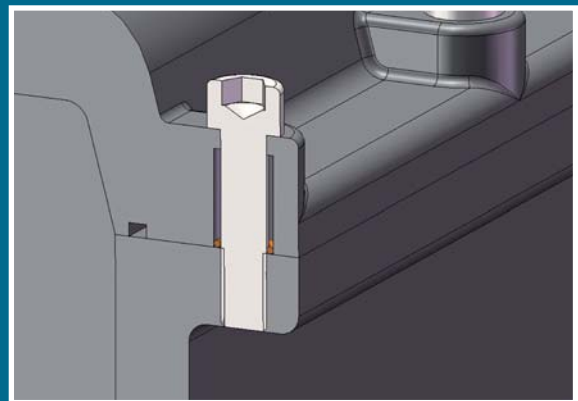
• Construction

The materials used to manufacture the EJB A series have been studied to grant the maximum protection against the highly corrosive agents present in these industries:

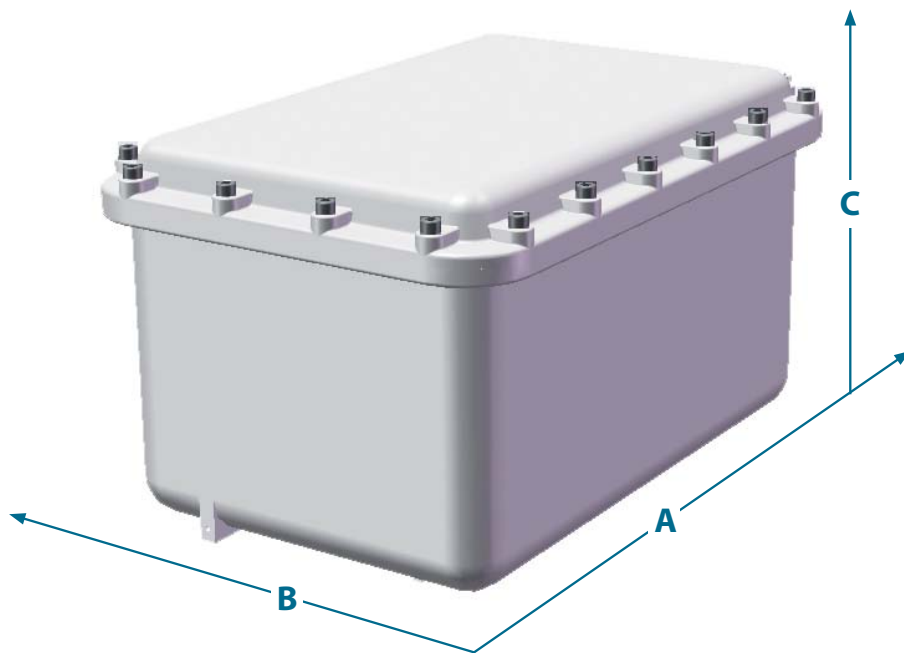
- body and cover casted in copper-free (lower 0.1%) aluminium alloy
- external epoxy powder coating RAL 7035
- internal anticondensation coating (on request)
- bolts and earthing screw in stainless steel AISI 304 (AISI 316 on request)
- gasket on cover in silicone
- window in thermoresistant glass sealed with auto-leveling silicone

• Protection

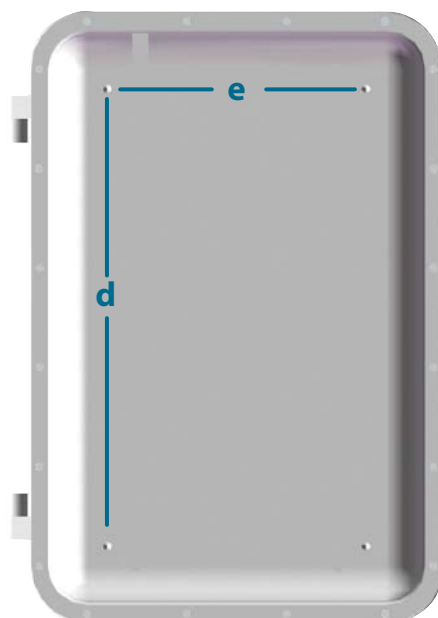
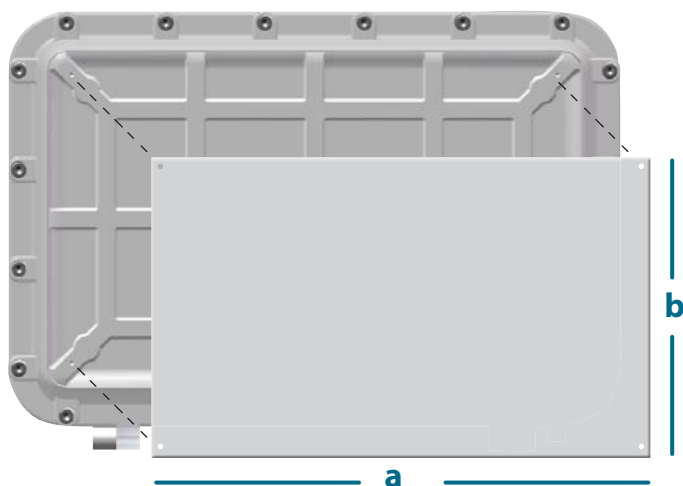
certificate number:	IMQ 11 ATEX 031
marking:	Ⓔ II 2GD Ex d e [ia/ib] IIB+H ₂ T6~T3 Gb Ex tb IIIC T85°C~T150°C Db
ambient temperature:	-60°C +60°C
degree of protection:	IP66
conformity:	Directive ATEX 94/9/EC
standards:	EN60079-0 / EN60079-1 / EN60079-7 / EN60079-11 / EN60079-31 / EN60529
category:	suitable for Zone 1 – 21 (gas) and Zone 2 – 22 (dust)

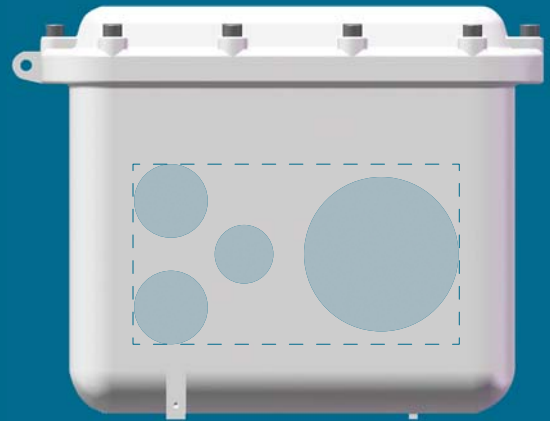
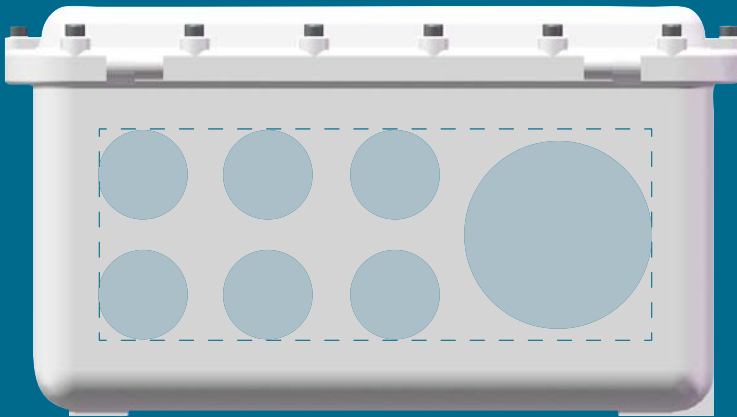


Supermec, always paid special attention to on-site installation issues. Introducing new EJB A series, we designed a special anti-loosening bolt to make the job easier for maintenance staff.

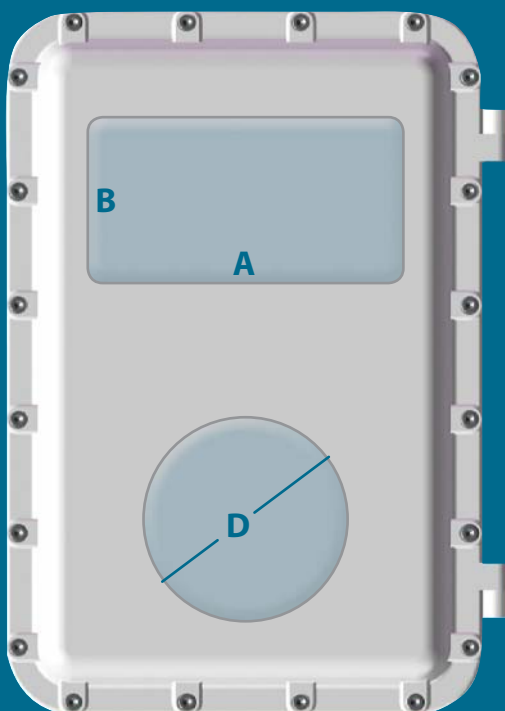


code	overall dimensions			mounting plate		fixing dimensions	
	A	B	C	a	b	d	e
EJB 1 A	300	230	219	180	110	190	120
EJB 3 A	390	300	283	270	180	280	190
EJB 4 A	460	340	307	340	220	350	230
EJB 5 A	640	460	356	520	340	530	350
EJB 55 A	720	540	390	560	380	570	390
EJB 7 A	1000	700	495	820	520	850	550



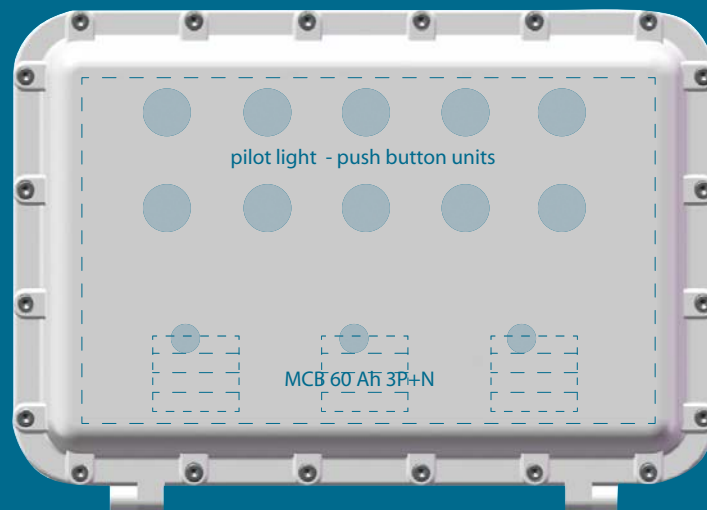


	maximum number of hubs on long side									maximum number of hubs on short side								
METRIC	M20	M25	M32	M40	M50	M63	M75	M90		M20	M25	M32	M40	M50	M63	M75	M90	
NPT	1/2"	3/4"	1"	1" 1/4	1" 1/2	2"	2" 1/2	3"	4"	1/2"	3/4"	1"	1" 1/4	1" 1/2	2"	2" 1/2	3"	4"
EJB 1 A	6	6	6	4	2	2	1	1	-	4	4	4	2	1	1	1	1	-
EJB 3 A	15	15	12	11	6	6	3	2	2	12	9	9	6	4	4	2	1	1
EJB 4 A	28	24	15	15	11	11	6	3	3	16	12	10	9	6	5	4	2	1
EJB 5 A	50	36	32	27	18	15	10	7	5	35	24	20	15	12	8	6	5	3
EJB 55 A	60	50	36	32	21	17	14	8	6	40	35	24	21	15	12	8	6	4
EJB 7 A	96	84	65	48	40	32	24	17	10	60	54	40	28	24	17	15	11	6

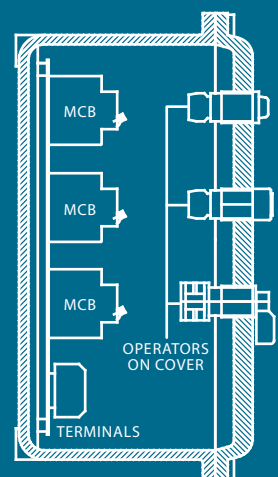
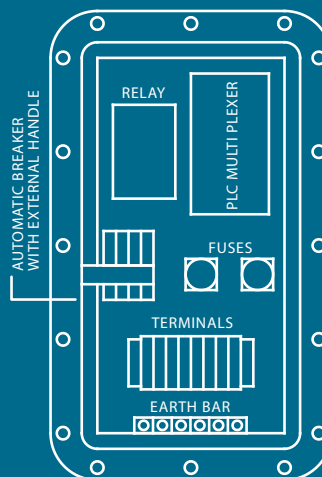
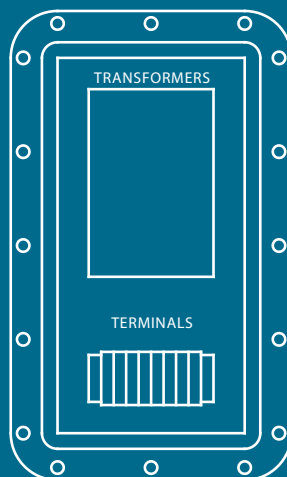
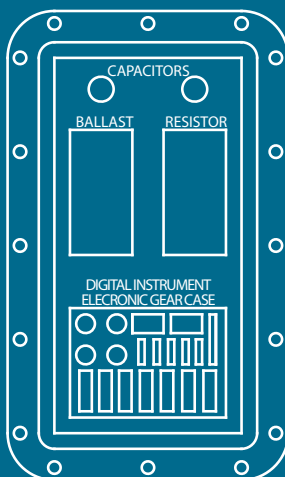


code	maximum size of windows on cover					
	square			circular		
	qty	A	B	qty	D	
EJB 1 A	1	140	70	1	80	
EJB 3 A	1	190	140	1	80	
EJB 4 A	1	290	190	2	80	
EJB 5 A	1	290	190	2	130	
EJB 55 A	2	290	190	2	130	
EJB 7 A	2	290	190	2	130	

	maximum number of operators on cover	
code	push button - pilot light units	MCB 60 Ah - 3 P
EJB 1 A	6	2
EJB 3 A	15	4
EJB 4 A	24	9
EJB 5 A	54	16
EJB 55 A	70	20
EJB 7 A	84	24



• Examples of electrical installations



Supermec Private Limited

17 Tuas Avenue 20
Singapore 638828
ph +65 6861 9522 - fax +65 6861 0184
sales@supermec.com.sg
www.supermec.com.sg

Supermec Vietnam Company Limited

42/55 Nguyen Minh Hoang Str. Ward 12 Tan binh Dist.
Ho Chi Minh City - Vietnam
ph +84 8 3811 0448 - fax +84 8 6292 5580
sales@supermec.com.vn
www.supermec.com.vn

S I N G A P O R E / M A L A Y S I A / V I E T N A M / S A U D I A R A B I A

